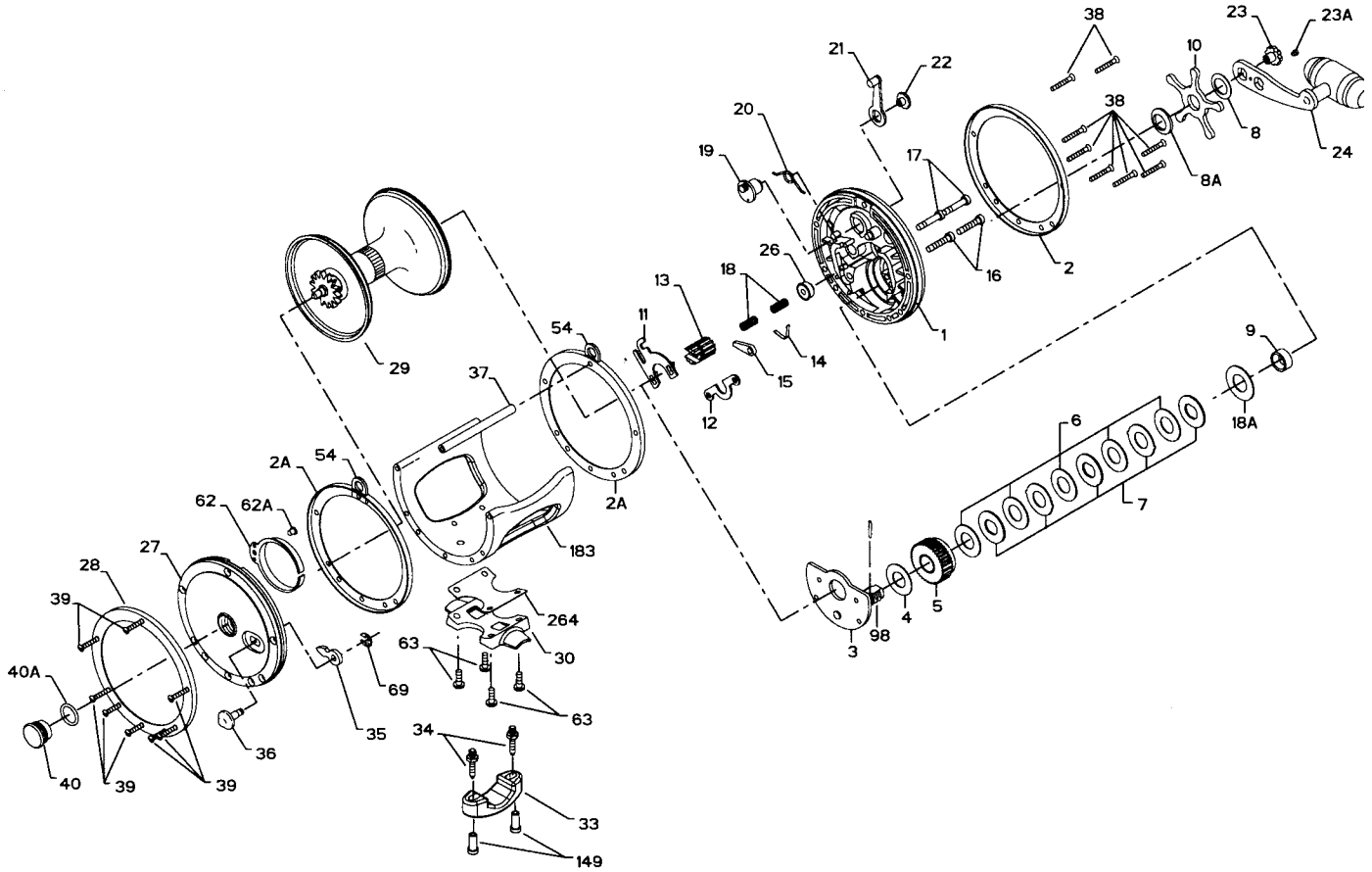




PARTS AND PRICE LIST FOR MODELS 114HL AND 114HLW



Key No.	Part No.	Description	Price	Key No.	Part No.	Description	Price
1	1-114H	Right Side Plate	\$10.15	26	26-116	R. S. Bearing	\$13.50
2	2-114H-O	Outer Right Side Ring	5.95	27	27N-114H	Left Side Plate	7.20
2A	2-114-I	Inner Side Ring (2 req.)	5.95	28	2-114-O	Outer Left Side Ring	5.95
3	3-114H	Bridge Assembly	9.70	29	29L-114HL	Spool	55.00
4	4-115	Fiber Washer	.80	29L-114HLW	Spool	60.00	
5	5-115	Main Gear	7.15	30	30-20T	Stand	18.70
6	6-115	Drag Washer (5 req.)	1.25	33	33-340	Rod Clamp	5.00
7	7C-115	Metal Washer Set	5.00	34	34-114HLW	Rod Clamp Screw (2 req.)	1.30
8	8-114	Tension Spring	1.10	35	35-114	Click Tongue	1.10
8A	8-115	Tension Spring	1.10	36	36-114H	Click Button	1.25
9	9-114H	Spacing Sleeve	3.50	37	37-114	Frame Post (114HL)	2.10
10	10-114	Star Drag Wheel	4.40	37-115	37-115	Frame Post (114HLW)	2.10
11	11-114	Eccentric Jack	2.65	38	39-12	R.S. Post Screw (8 req.) (114HL)	.50
12	12-114	Pinion Yoke	1.80	39-12	39-12	R.S. Post Screw (8 req.) (114HLW)	.50
13	13-114H	Pinion	5.00	39	32-21	L.S. Post Screw (8 req.) (114HL)	.50
14	14-114	Dog Spring	.45	39-12	39-12	L.S. Post Screw (8 req.) (114HLW)	.50
15	15-114H	Dog	1.10	40	**40-114HL	Left Side Bearing	12.00
16	16-114	Lower Bridge Screw (2 req.)	.50	40A	120-114H	Left Side Bearing O-Ring	.50
17	17-114	Upper Bridge Screw (2 req.)	.50	54	54-114	Harness Lug (2 req.)	1.70
18	18-114	Clutch Spring (2 req.)	.50	62	62-114	Click Spring	1.50
18A	18-114H	Spring Disk	.70	62A	63-209	Click Spring Screw	.80
19	19-114	Eccentric	2.45	63	63-30T	Stand Screw (4 req.)	.80
20	20-114	Eccentric Spring	.80	69	69B-600	Retaining Ring	.90
21	21-114	Eccentric Lever	2.25	98	98-114	Gear Sleeve	4.50
22	23-60	Eccentric Screw	1.70	149	149-45	Rod Clamp Nut (2 req.)	.90
23	23-116	Handle Screw	3.10	183	183-114HL	Frame	42.00
23A	110-60	Handle Lock Screw	.60	183-114HLW	Frame	49.00	
24	24-57	Handle	11.00	264	264-30T	Stand Gasket	1.60

**Owners of Older 114HL and 114HLW reels must order 40-114H